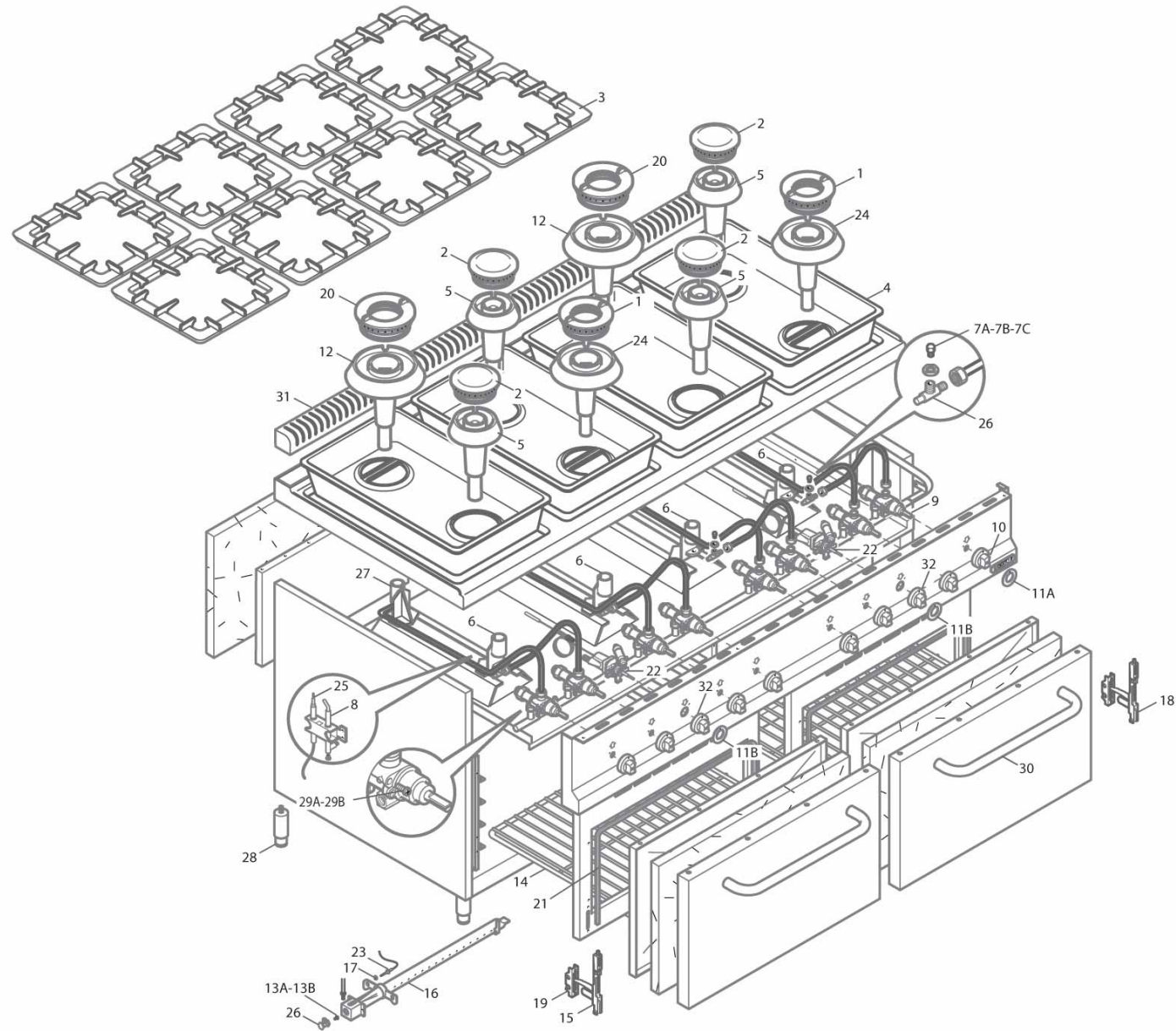




G9F4P+FG1





G9F4P+FG1

Pos. Item	Codice Code	Descrizione	Item Description	Designation articles	Artikelbeschreibung	Decripción artículos	N° pezzi - No. pieces				
1	22189400	Cavo accens.xforno fsd8 e af1	Oven ignition cable	Cable allumage four	Zundkabel fuer backofen	Cable encendido horno					-
2	22274000	Rubinetto forno by-pass 0.52	Oven tap by-pass 0.52	Robinet four by-pass 0.52	Hahn fur backofen by-pass 0.52	Llave de paso horno					1
3	22275500	Bruciatore supp.termocop.xfg1	Burner thermocouple support	Bruleur support thermocouple	Brenner thermoelementhalter	Quemador soporte termopar					1
4	22287500	Termocoppia x fg1	Oventhermocouple	Thermocouple four	Thermoelement backofen	Termopar horno					1
5	22289200	Termocoppia 600 mm x plg/cpg/c	Thermocuple 600mm	Thermocuple 600mm	Thermoelement 600mm	Termopar 600mm					4
6	22290900	Dado x termocoppia fg1	Thermocouple nut	Ecrou pour thermocouple	Mutter fur thermoelement	Tuerca para termopar					2
7	22296500	Candeletta x forno fsd8 e af1	Oven sparkplug	Bougie allumage pour four	Zundkerze fur backofen	Bujia horno					-
8	22594200	Guarnizione forno fg1-fe1 700/	Oven seal fg1-fe1 700/900	Joint four fg1-fe1 700/900	Dichtung backofen fg1-fe1 700/	Empaquetadura horno fg1-fe1 70					1
8	31859000	Guarniz. a metro forno 2/1gn	Seal for oven 2/1gn	Joint pour four 2/1gn	Meter-turdichtung ofen 2/1gn	Junta por horno 2/1gn					1
9	22607800	Cerniera sx x fe1/fg1 fcd8-fsd	Left hinge	Charniere gauche	Scharnier links	Bisagra izquierda					1
9	31802100	Cerniera sx forno cucine	left oven hinge	Charniere gauche four	Linksseitiges scharnier	Bisagra izda. horno					1
10	31802000	Cerniera dx forno cucine	Right oven hinge	Charniere droite four	Rechtsseitiges scharnier	Bisagra derecha horno					1
10	22608100	Cerniera dx x fe1/fg1 fcd8-fsd	Right hinge	Charniere droite	Scharnier rechts	Bisagra derecha					1
11	31802500	Portarullino cerniera forno	Roller-bearing oven hinge	Porte-rouleau charniere four	Rollenhalter scharniere fuer b	Soporte rodillo bisagra horno					2
11	22608200	Cern.fissa portarullino fe1fg1	Fixed hinge	Charniere fixe	Festes scharnier	Bisagra fija					2
12	22966200	Briglia fissaggio rubinetto	Fixing tap clamp	Bride de fixation robinet	Bugel fur hahnbefestigung	Fiador ajuste llave de paso					1
13	24684500	Piedino inox 2 h-125/175	Foot 2 h-125/175	Pied 2 h-125/175	Stellfuss 2 h-125/175	Pata 2 h-125/175					4
14	24848700	Grc 60/40 griglia pasticceria	Grill pastry	Grille patisserie	Rost konditorei	Parrilla pasteleria					1
15	31002000	Acc. elet. cand. cucine 2f e	Electric lighter 2f e	Allumeur electric 2f e	Elektro zund. 2f e	Encendido electr. 2f e					-
16	31189700	Cavetto accensione cucine ev.	Ignition wire for nevol. cooke	Cable allumage pour cuisines e	Zundkabel evoluzione herde	Cable encendido por cocinas ev					-
17	31273600	Rubinetto pel21s;9x1;bypas 55	Tap pel 21s;9x1;bypas 55	Robinet pel 21s;9x1;bypas 55	Hahn pel 21s;9x1;bypas 55	Llave de paso pel 21s;9x1;bypa					4
18	31291300	Pilota cuc.700 (2 posiz.)	Cooker pilot (2 posit.)	Veilleuse fourneau (2 posit.)	Herd zundflamme	Piloto cocina (2 posit.)					4
19	31327600	Portaugello per fg1	Injector holder	Porte-injecteur	Dusenhalter	Porta injector					1
20	31777700	Bicono d. 4 per rubinetto 21s	Double cone for tap 21s	Bicone pour robinet 21s	Doppelkegel fur hahn 21s	Doble cono para llave de paso					4
21	31777800	Bic.ottone d.8 per evol./fg1	Brass double cone d.8	Bicone en laiton d.8	Messinge doppelkegel d. 8 fuer	Doble cono en laton d.8					2
22	31807700	Dado x portaugello fg1 2803/4	Injector holder nut	Ecrou support injecteur	Mutter dusenhalter	Tuerca soporte tobera					1
23	31817500	Raccordo x bicono d.8 rub.e	Double-cone fitting d.8	Raccord pour bicone d.8	Anschl. fur doppelkegel d.8	Racor para doble cono					1
24	31874000	Maniglia sez.ovale aisi 304 42	Handle aisi 304 425 x 41	Poignee aisi 304 425 x 41	Griffe aisi 304 425 x 41	Asa aisi 304 425 x 41					-
24A	31913200	Rubinet. valvolato fg1 micro	Valve tap fg1	Robinet-vanne fg1 micro	Ventilhahn fg1 micro	Llave de paso con valvula fg1					1
25	31915000	Portapila x accens. cucine e	Battery holder	Porte-pile	Batterienhalter	Portapila					-
26	31924700	Raccordo per tubo diam. 4 mm	Pipe fitting Ø4 mm	Raccord pour tuyau Ø4 mm	Anschluss fur rohr Ø4 mm	Racor para tubo Ø4 mm					4
27	31952200	Serig.rossa manop.gas plg-cpg-	Red gas knob serigraphy	Serigraphie rouge manette	Rote drehknopfserigraphie	Serigrafia roja mando					4
28	31952400	Ser.rossa manop.forno gas fg1	Red gas knob serigraphy	Serigraphie rouge manette	Rote drehknopfserigraphie	Serigrafia roja mando					1
29	31979000	Terminale crom.lucido plastica	Chromium-plated terminal	Terminal chromÉ poli	Verchromte grifendverschluss	Terminal cromado lustroso					2
29	31979200	Terminale rosso plastica term	Red plastic terminal	Cosse rouge plastique therm.	Roter thermo-kunststoffversch	Terminal rojo plastico					2
30	32327600	Portaugello gl-plg-cpg-cucine	Injector holder	Support injecteur	Dusenhalter	Soporte de tobera					4
31	32777300	Bic.ottone d.10	Double cone d.10	Bicone d.10	Doppelkegel d.10	Doble cono d.10					12
32	32811500	Dado portaugello m 14x1 lx/gas	Injector holder nut	Ecrou suporte injecteur	Mutter dusenhalter	Tuerca soporte tobera					4
33	32811800	Dado d. 10-m 16 gl/lx-plg-cpg	Nut d. 10-m 16 gl/lx-plg-cpg	Ecrou d. 10-m 16 gl/lx-plg-cpg	Mutter d. 10-m 16 gl/lx-plg-cp	Tuerca d. 10-m 16 gl/lx-plg-cp					12
34	35779500	Ass. bacin. inox x 2 bruc. e	Inox tank for 2 burners	Cuve inox pour 2 bruleurs	Inox becken	Cubeta inox por 2 quemadores					2



G9F4P+FG1

Pos. Item	Codice Code	Descrizione	Item Description	Designation articles	Artikelbeschreibung	Decripción artículos	N° pezzi - No. pieces					
35	35807000	Corpo bruciat. cromato 9kw	9kw burner body	Corps bruleur 9kw	Korper brenner 9kw	Cuerpo quemador 9kw						4
36A	35856300	Ass. griglia camino 1200 aisi	Chimney grill 1200 aisi 304 12	Grille hotte 1200 aisi 304 12/	Grill kamin 1200 aisi 304 12/1	Parrilla chimenea 1200 aisi 30						1
36	35856100	Ass. griglia camino 800 aisi 3	Chimney grill 800 aisi 304 12/	Grille hotte 800 aisi 304 12/1	Grill kamin 800 aisi 304 12/10	Parrilla chimenea 800 aisi 304						-
37	35856500	Griglia rough nero 900	Black rough grill	Grille rough noire	rough rost	Parrilla negra rough						4
38	35877100	Manopola rossa p. 8x6,5 a 180°	Red knob p. 8x6,5 a 180°ral300	Manette rouge p. 8x6,5 a 180°	Drehknopf p. 8x6,5 a 180°ral30	Mando rojo p. 8x6,5 a 180°ral3						4
38A	35877300	Manopola rossa p. 6x4,6 a 180°	Red knob p. 6x4,6 a 180°ral300	Manette rouge p. 6x4,6 a 180°	Drehknopf p. 6x4,6 a 180°ral30	Mando rojo p. 6x4,6 a 180°ral3						1
38	35876100	Manopola rossa p. 8x6,5 a 180°	Red knob 8x6,5 180°	Manette rouge 8x6,5 180°	Drehknopf 8x6,5 180°	Mando rojo 8x6,5 180°						4
38A	35876300	Manopola rossa p. 6x4,6 a 180°	Red knob 6x4,6 180° c	Manette rouge 6x4,6 180° c	Drehknopf 6x4,6 180° c	Mando rojo 6x4,6 180° c						1
39	35913600	Supp. bruc. e 9kw cucina	9kw burner support	Support bruleur 9kw	Brennerhalter 9kw	Soporte quemador 9kw						4
40	35954300	Spartif.bruc.e 9kw cromato	9kw burner cap	Chapeau bruleur 9kw	Flammenkranz brenner 9kw	Sombbrero quemador 9kw						4
41	35974400	Supp.pilota bruc. 9 kw cucina	9 kw burner support	Support bruleur 9 kw	Brennerhalter 9 kw	Soporte quemador 9 kw						4
42	40000000	Ugello: indicare modello e tip	Injector: specify model and ga	Gliceur: specifier modele et g	Duese: modell und gas-typ zeig	Tobera: precisar modelo y tipo						4